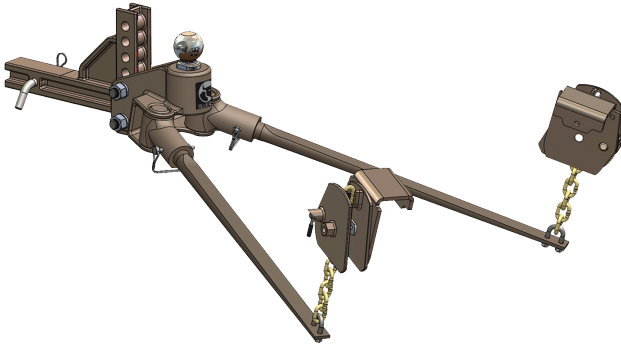




BLUE OX
Towing Doesn't Have to be a Drag™

Weight Distributing Hitches

SwayPro™



Premium Sway Prevention

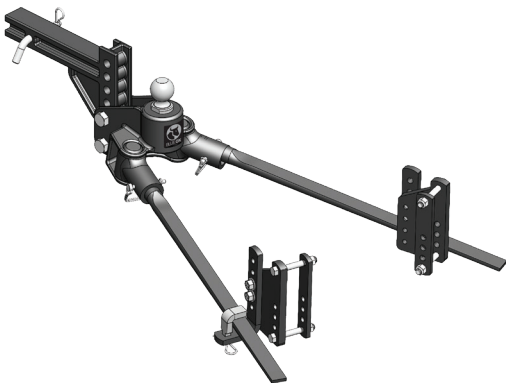
Features:

- Evenly distributes weight over axles of the tow vehicle and trailer
- **Noise-free sway prevention never stops working, even in rain or snow**
- Caster in the hitch head constantly centers the trailer
- Spring bars augment the suspensions of the tow vehicle & trailer
- Rotating latches with clamp-on brackets for quick and easy setup
- Backup without disconnecting
- Powder-coated steel construction

Specifications:

- **Tongue weights available: 350, 550, 750, 1000, 1500 & 2000** (2.5" Shank)
- Gross Towing Weight 20K maximum
- 2" receiver. 2-1/2" receiver shank available

TrackPro™



Premium Sway Management

Features:

- Evenly distributes weight over axles of the tow vehicle and trailer
- **Manages sway caused by bad roads, wind, and weather**
- Caster in the hitch head constantly centers the trailer
- Spring bars augment the suspensions of the tow vehicle & trailer
- Rigid L-brackets provide additional points of sway controlling friction
- Backup without disconnecting
- Powder-coated steel construction

Specifications:

- **Tongue weights available: 600 (2 inch ball), 800, 1000 & 1300**
- Gross towing weight: 13K maximum
- 2" receiver, 2-1/2" receiver shank available

2-Point™



Best Value Sway Control

Features:

- Evenly distributes weight over axles of the tow vehicle and trailer
- **Steel-on-steel friction minimizes sway**
- Round spring bars flex for a controlled ride
- L-Brackets keep spring bars in place
- Pre-installed 2-5/16" hitch ball, 600lb LTW pre-installed 2" inch ball
- Powder-coated steel construction

Specifications:

- **Tongue weights available: 600 (2 inch ball), 800, and 1200 lbs**
- Gross towing weight: 12K maximum
- 2" receiver

Adjustable Ball Mounts

Adjustable in height for level towing.
 Pre-installed 2" ball.
 Included clamshell converts 2" ball to 2-5/16".
 Will not drag on the ground like dual ball mounts.
 All-steel construction.



Clamshell Adapter



2" to 2-5/16"
 Clamshell Adapter
 BX88377

Hitch Locks



Trailer Coupler Lock
 1-7/8"-2-5/16"
 BX88351



Universal &
 Adjustable
 Pin Style
 Coupler Lock
 BX88402



Pin Style
 Coupler Lock
 & 5/8" x 3"
 Receiver Lock
 BX88403



Universal King Pin
 Lock
 BX888360



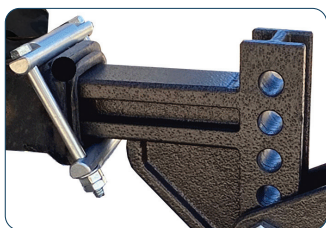
Receiver Lock
 5/8" x 2"
 BX88858



Receiver Lock
 5/8" x 4" for
 2-1/2" Receiver
 BX888212

Hitch Immobilizers

Eliminate jerking, excess movement, and rattling between the receiver and the ball mount, tow bar, or drop or rise receiver.



2" Single Pull
 Immobilizer
 BX88371



2-1/2" Single Pull
 Immobilizer
 BX88372



3" Single Pull
 Immobilizer
 BX88399